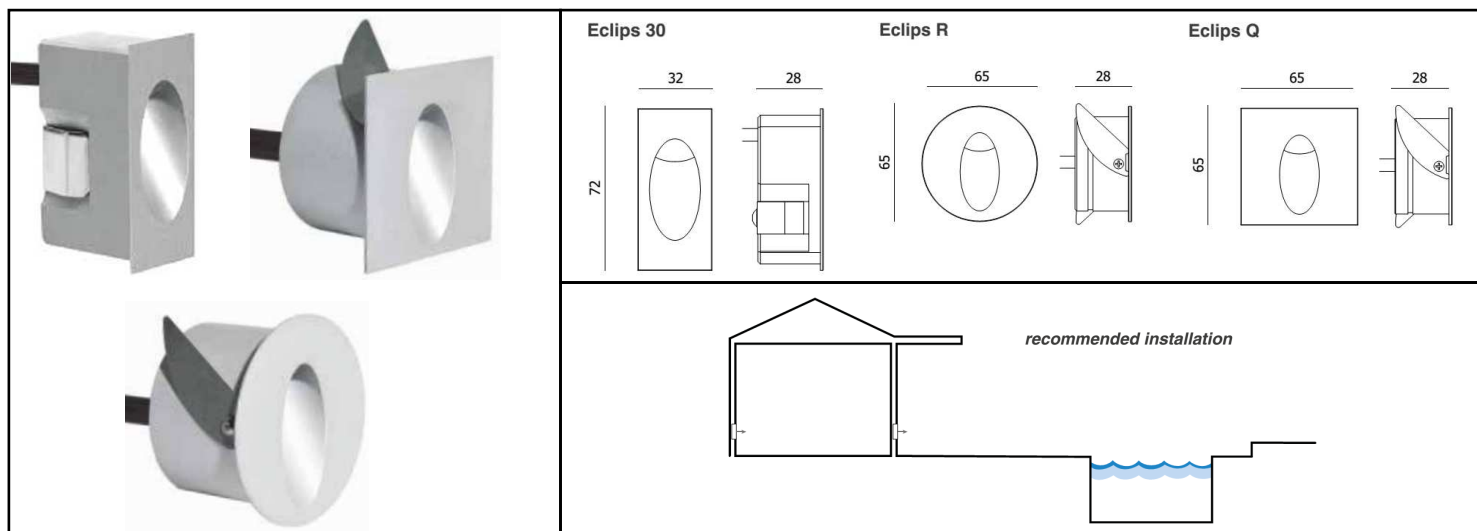


ECLIPS Monochromatic DATA-SHEET



PRODUCT DESCRIPTION:

Recessed fixture with asymmetric beam for indoor and outdoor applications, available in square, rectangular and round versions. Body Anticorodal aluminium alloy EN AW-6060, stainless steel AISI 316L and opal resin. UV resistance of all materials.

TECHNICALS FEATURES:

Materials	Anticorodal aluminium alloy EN AW-6060 ; Stainless steel inox AISI 316L ; opal resin
Front	Anticorodal aluminium alloy EN AW-6060
Finish	Painted aluminium ; White aluminium ; Titanium
Power Supply	350/500 mA
Power	Power LED: 1 W @350 mA - 1,5 W @500 mA High Power LED: 4 W @350 mA
Light Source	Power LED or High Power LED
Color Temperature	2700K ; 3000K ; 4000K
Ra	> 80
Chromatic Selection	Power LED: Mac-Adam 2-step High Power LED: Mac-Adam 3-step
Lifetime	> 50000 h (TM21)
Optics	asymmetrics optics 60°
Tc metal body	< 90 °C
Ta operating temperature	- 30 ÷ 50 °C
Ts surface temperature	≤ 65 °C
Functions	On/Off ; dimmable
Cable	H05V-K 1x0,5mm ² AWG20 (Red) + 1x0,5mm ² AWG20 (Black) L. 0,5 m.
Weigth	Eclips 30: 110 g ; Eclips Q-R: 200 g
Installations	Recessed (wall) through stainless steel spings
Norms	60598-1 ; 60598-2 and its parts



NOTE:

Power supplies, control&dimming devices and fixing kits must to be orderd separately. Aldabra power supply consumption is equal to 15% of the fixture nominal power. Photometric data available at www.aldabra.it

ECLIPS Monochromatic DATA-SHEET

GENERAL FEATURES:

	version	Power LED @350 mA	Power LED @500 mA	High Power LED @350 mA
ECL.01.XXXXX.X	30	1W	1,5W	
ECL.02.XXXXX.X	R	1W	1,5W	
ECL.03.XXXXX.X	Q	1W	1,5W	
ECL.04.XXXXX.X	30			4 W
ECL.05.XXXXX.X	R			4 W
ECL.06.XXXXX.X	Q			4 W

OPTICAL FEATURES:

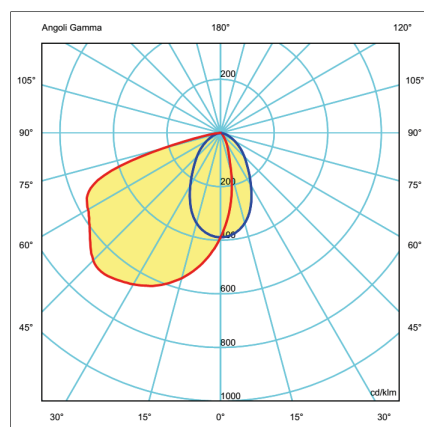
ECL.XX.AXXXX.X	Asymmetrics optics 60°
----------------	------------------------

LED FEATURES:

	Power LED / High Power LED	lm/W	Ra	Chromatic selection
ECL.XX.X 27 XX.X	2700K warm white	105	>80	MacAdam 2-step/3-step
ECL.XX.X 30 XX.X	3000K warm white	118	>80	MacAdam 2-step/3-step
ECL.XX.X 40 XX.X	4000K neutral white	130	>80	MacAdam 2-step/3-step

FINISHES FEATURES:

ECL.XX.XXX G1 .X	Painted aluminium
ECL.XX.XXX W1 .X	White aluminium
ECL.XX.XXX Z1 .X	Titanium



asymmetric optics 60°

GENERAL INFORMATIONS:

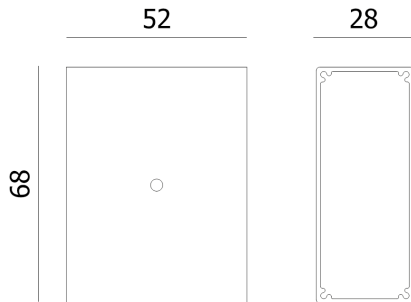
Kindly note that atmospheric agents (such as lightnings, etc) , electrostatics charges or disturbances on the installation not caused by Aldabra lighting fixtures and Led drivers indicated by Aldabra itself, may cause damages on the fixtures. It is necessary that the electrical installation where the LED lighting fittings and their power supply units and control gears are installed must be equipped with proper devices for the protection and suppression of transient phenomena (SPD, isolation transformer, etc...). Such devices must be coordinated with the other protections of the installation; on this theme, it's necessary to refer to the electrical installations norms which are in force in each country.

ECLIPS Monochromatic DATA-SHEET

RECESSING BOXES:

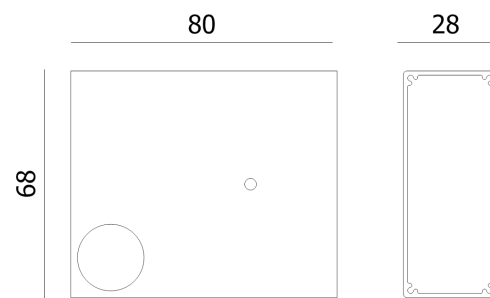
CSF.0016.0

Eclips 30 recessing box for plasterboard



CSF.0017.0

Eclips 30 recessing box for concrete



CSF.0018.0

Eclips R-Q recessing box

